

PALFINGER

P 200 A SMART
THERE IN A FLASH,
COMPACT SET-UP
AND FLEXIBLE HEIGHT

LIFETIME EXCELLENCE



BAAS
VERHUURT.NL

KAN JE ER NIET BIJ?? HUUR MIJ!!



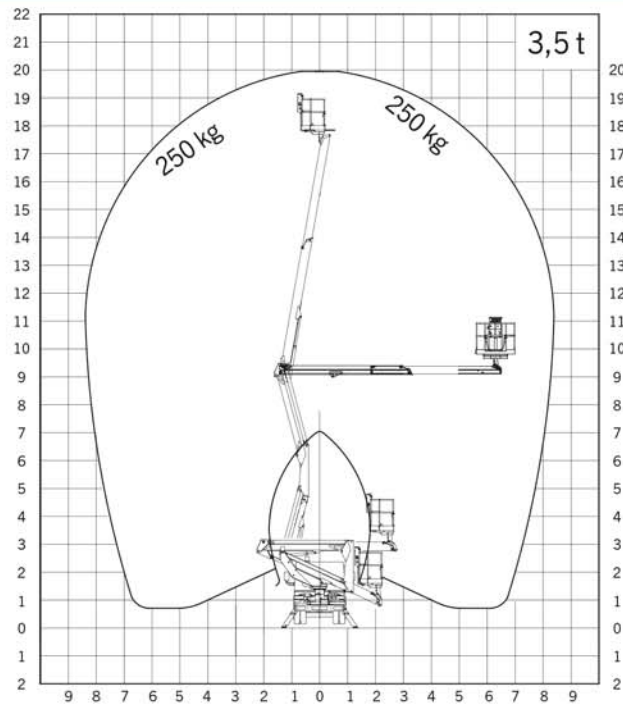
TECHNICAL SPECIFICATIONS

| | |
|------------------------------|--------------------|
| Max. working height | 19.8 m |
| Max. basket bottom height | 17.8 m |
| Max. outreach | 8.4 m |
| Angle of main boom | -25° a + 80° |
| Turntable rotation | 370° |
| Basket rotation | 2 x 90° |
| Basket load | 250 kg |
| Size of basket | 1.4 x 0.85 x 1.1 m |
| Height in transport position | 2.89 m |
| Width in transport position | 2.1 m |
| Length in transport position | 5.39 m |
| GVW | 3500 kg |

OPTIONAL

| |
|---|
| Fiberglass basket |
| Electric pump for internal use |
| Working adjustable light 60 W on the basket |
| Title alarm with audio signal |
| Insulation 1000 V |
| 12 V electric pump |
| Aluminium side panels |
| Customised paintwork boom |

WORKING DIAGRAMS



DIMENSIONS



Units shown in the leaflet are partially optional equipped and do not always correspond to the standard version. Country-specific regulations must be observed. Dimensions may vary. Subject to technical changes, errors and translation mistakes.

KAN JE ER NIET BIJ?? HUUR MIJ!!



BAAS
VERHUURT.NL

072-2600565