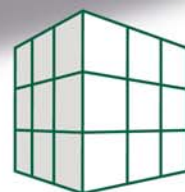


PALFINGER

P 170 TXE SMART
MINIMUM
DIMENSIONS
MAXIMUM
PERFORMANCE

LIFETIME EXCELLENCE



BAAS
VERHUURT.NL

KAN JE ER NIET BIJ?? HUUR MIJ!!

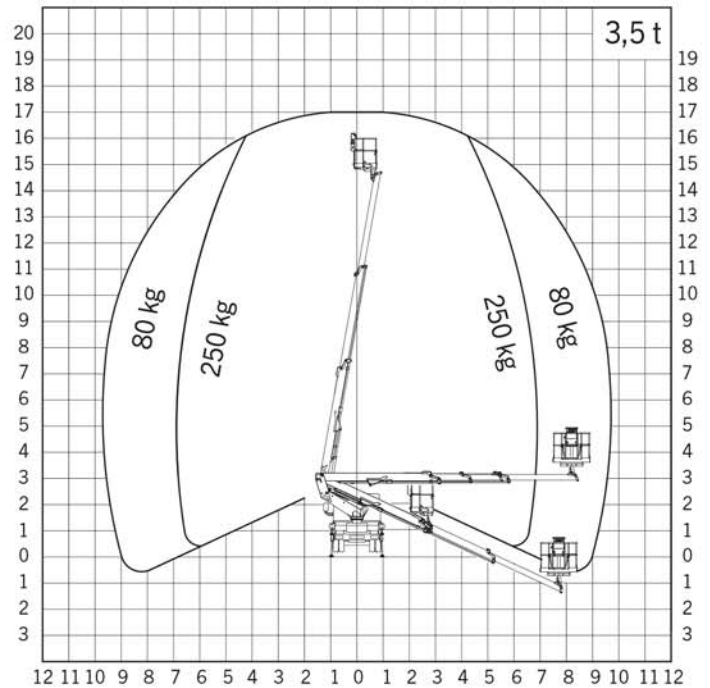
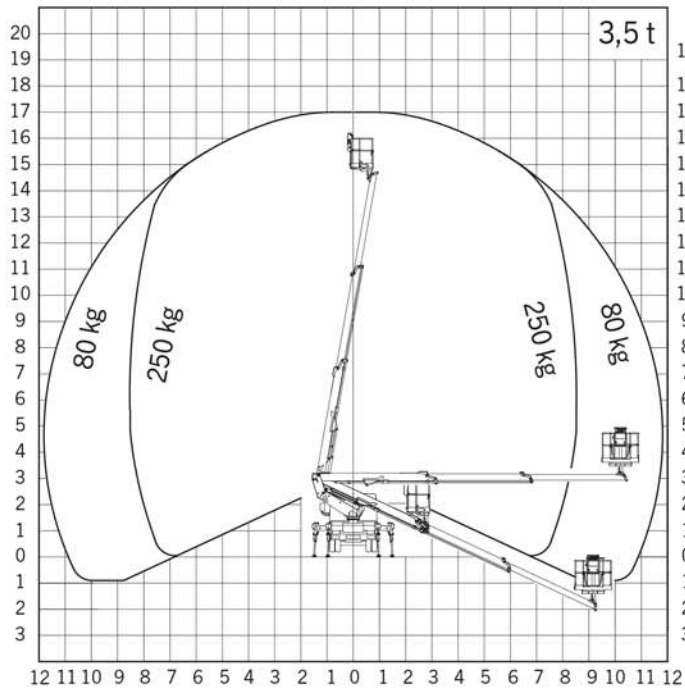
TECHNICAL SPECIFICATIONS

Max. working height	16.9 m
Max. basket bottom height	14.9 m
Max. outreach	11.7 m
Angle of main boom	-25° a + 80°
Turntable rotation	370°
Basket rotation	2 x 90°
Basket load	250 kg
Size of basket	1.4 x 0.85 x 1.1 m
Height in transport position	2.89 m
Width in transport position	2.1 m
Length in transport position	6.05 m
GVW	3500 kg

OPTIONAL

Fiberglass basket
Electric pump for internal use
Working adjustable light 60 W on the basket
Insulation 1000 V
12 V electric pump
Aluminium Side bars 200 mm
Customised paintwork boom

WORKING DIAGRAMS



DIMENSIONS



Units shown in the leaflet are partially optional equipped and do not always correspond to the standard version. Country-specific regulations must be observed. Dimensions may vary. Subject to technical changes, errors and translation mistakes.

KAN JE ER NIET BIJ?? HUUR MIJ!!



BAAS
VERHUURT.NL

072-2600565